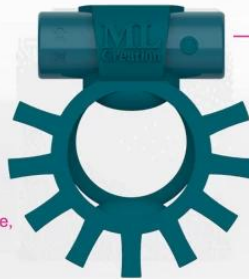


Super Ring



- Medical Silicone
- Environment-friendly plastic
- 1 hour of charging = 1 hour of use
- Weight: 26g L63mm, Φ 38/24mm



((())) 1 vibration intensity
10 vibration modes — also can choose the auto cycle modes.

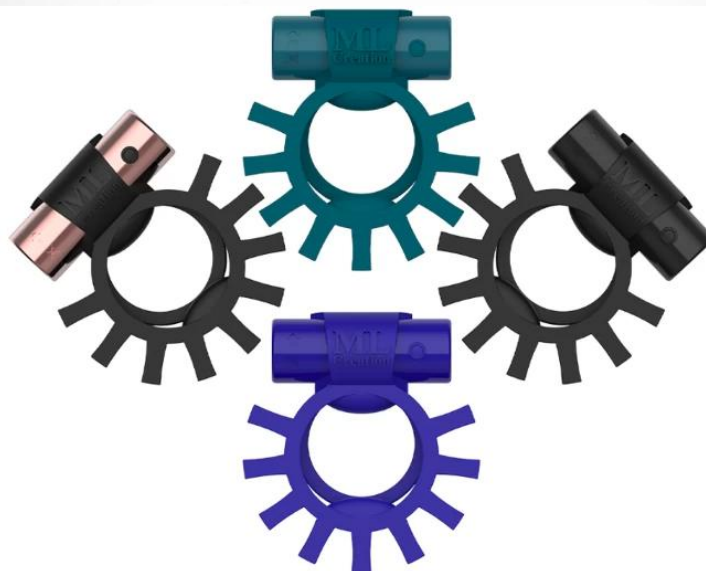
- A. Press the button to turn on the bullet with the 1st vibration mode.
- B. After turning on, each press the bullet will change a vibration mode, after the 10th mode it will go back to the 1st mode.

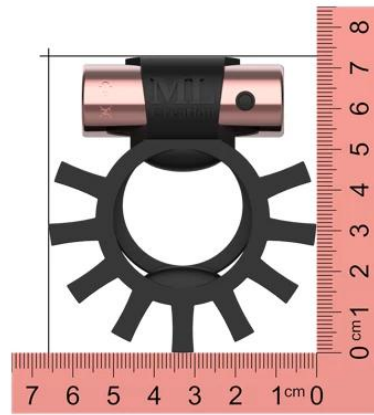
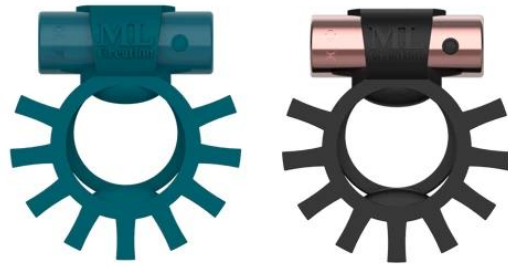
C. After turning on, anytime quickly press twice the bullet will get into the auto cycle of 10 vibration modes, if want to get out the auto cycle of the 10 vibration modes, just press once.

D. Press the button for 1 second to turn off the bullet .



CE RoHS





High: 73mm Wide: 66mm Size for: 23-36mm
Small Ring Diameter: 29mm

CE , RoHs certificate

EMC VERIFICATION SUMMARY
Report No: SZHJ00843667-001

ITE Others

Applicant: ML Creation Co Limited
106 11 01F, Tai Chung Centre, No.50 Kowloon Chung Road, Kowloon, New Territories, Hong Kong S.A.R.

Test Conducted Date: 8 January 2018 to 14 January 2018

ALL TESTS WERE CONDUCTED IN ACCORDANCE WITH:
EN 55014-1: 2006 + A1: 2009 + A2: 2011
EN 55014-2: 1997 + A1: 2001 + A2: 2008

Location: Intertek Testing Services (Shenzhen) Ltd. Midway Branch
6/F, Block D, Puhua Building, Langham Road, Shenzhen District, Shenzhen, China

By: *Chris Chen*
Chris Chen
Engineer
Intertek
Date: 14 January 2018

Verification of Conformity

used test report(s), sample(s) of the below product have been found to comply with the following standard and the verification of the test data have been carried out. (Other info relevant to the product.)

CE mark affixation to the finished product, the manufacturer may indicate a Declaration of Conformity and affixing the mark to product identical to the examples sets of instructions for mark affixation requirements.

ML Creation Co Limited
106 11 01F, Tai Chung Centre, No.50 Kowloon Chung Road, Kowloon, New Territories, Hong Kong S.A.R.

Test Witness:
JULIAN SIU & IVY LI (41 holders)
Ear Ray B
Intertek

EN 55014-1: 2006 + A1: 2009 + A2: 2011
Electromagnetic Compatibility - Requirements for household appliances, electric tools and similar apparatus - Part 1: Emission Requirements
EN 55014-2: 1997 + A1: 2001 + A2: 2008
Electromagnetic Compatibility - Requirements for household appliances, electric tools and similar apparatus - Part 2: Immunity - Product Family Standard
Electromagnetic Compatibility Directive (2004/108/EC)

Tested on selected Court Only
8 January 2018 to 14 January 2018
Shenzhen: 04011801

Digitally signed by
Chris Chen
Locations: Intertek
Testing Services

Intertek Testing Services (Shenzhen) Ltd. Tick & Markings
1st Floor, Puhua Building, Langham Road, Shenzhen District, Shenzhen, China
www.intertek.com www.intertek.com.cn Tel: +86 755 8512 8000

ML creation Sex toy model Super Ring

USB Charging Vibration upgrade version
Male delayed double ring locking stem/inlocking ring
Size double ring can be applied according to body size

Best for couples having sex
Life waterproof, can be washed normally

vibration lock ring,vibration lock ring for men, sex toys for man,sex toys for couples

Sex toys factory China,Sex toys factory, Sex toys manufacturer,Sex toys supplier